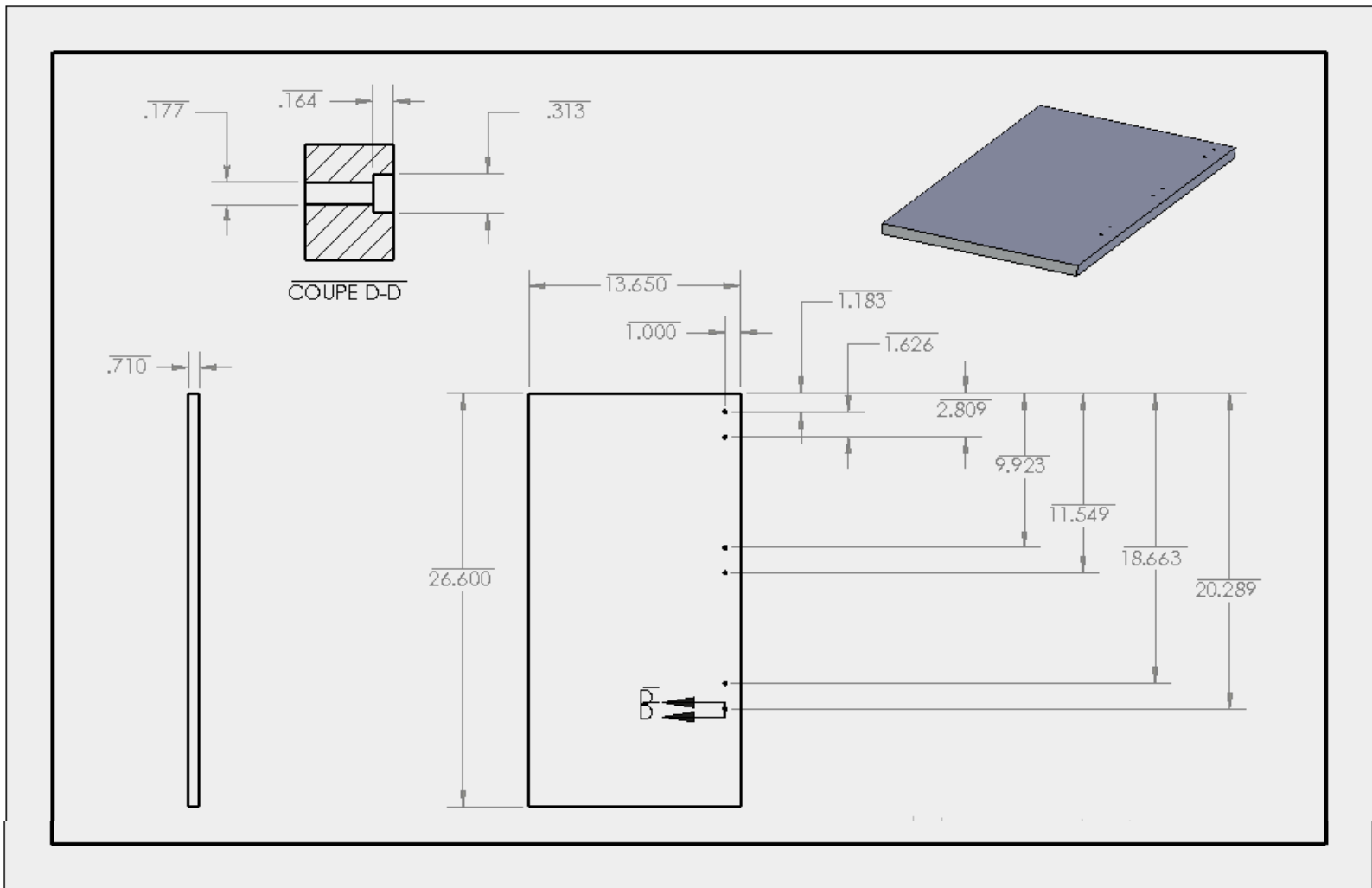
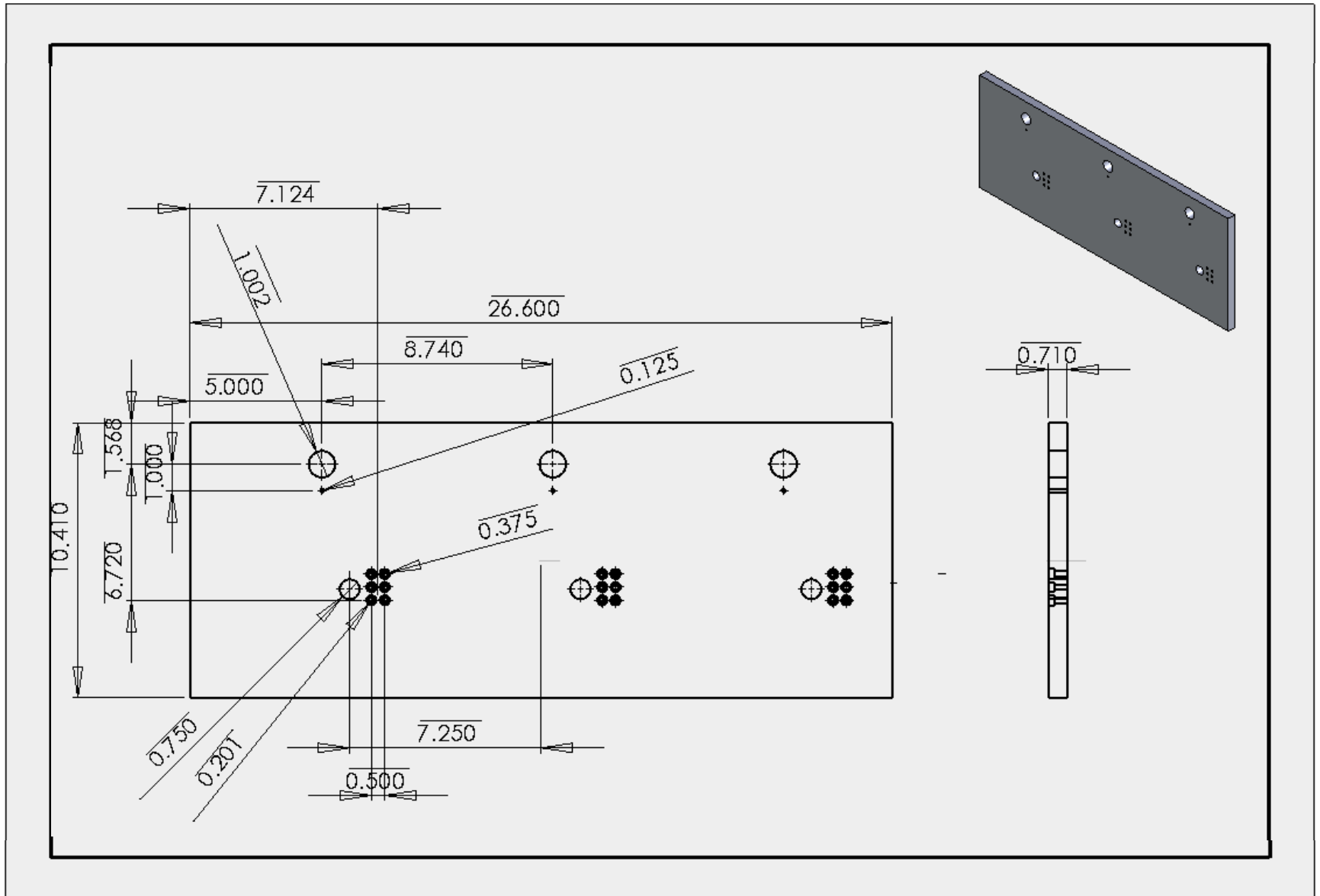


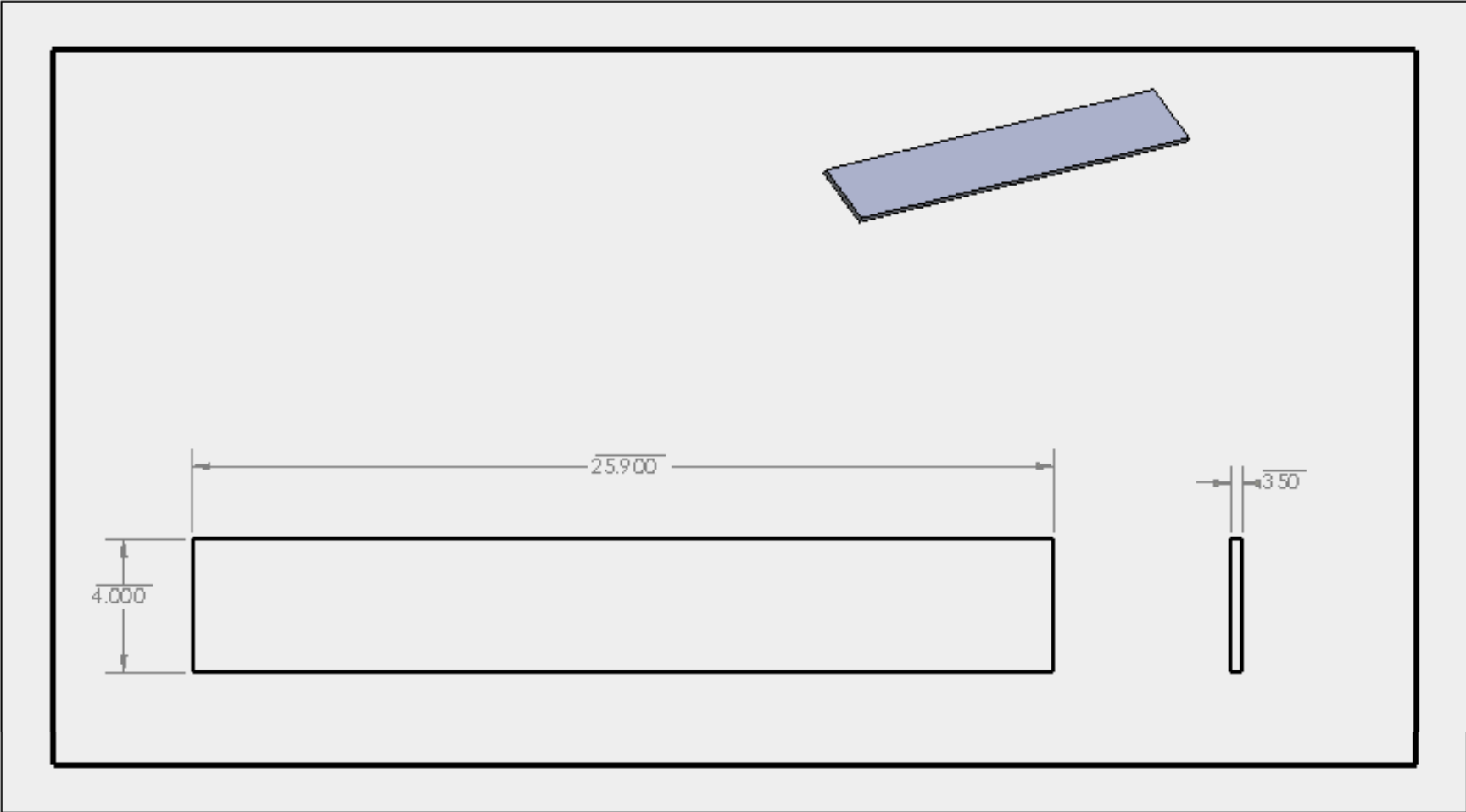
FR-A1



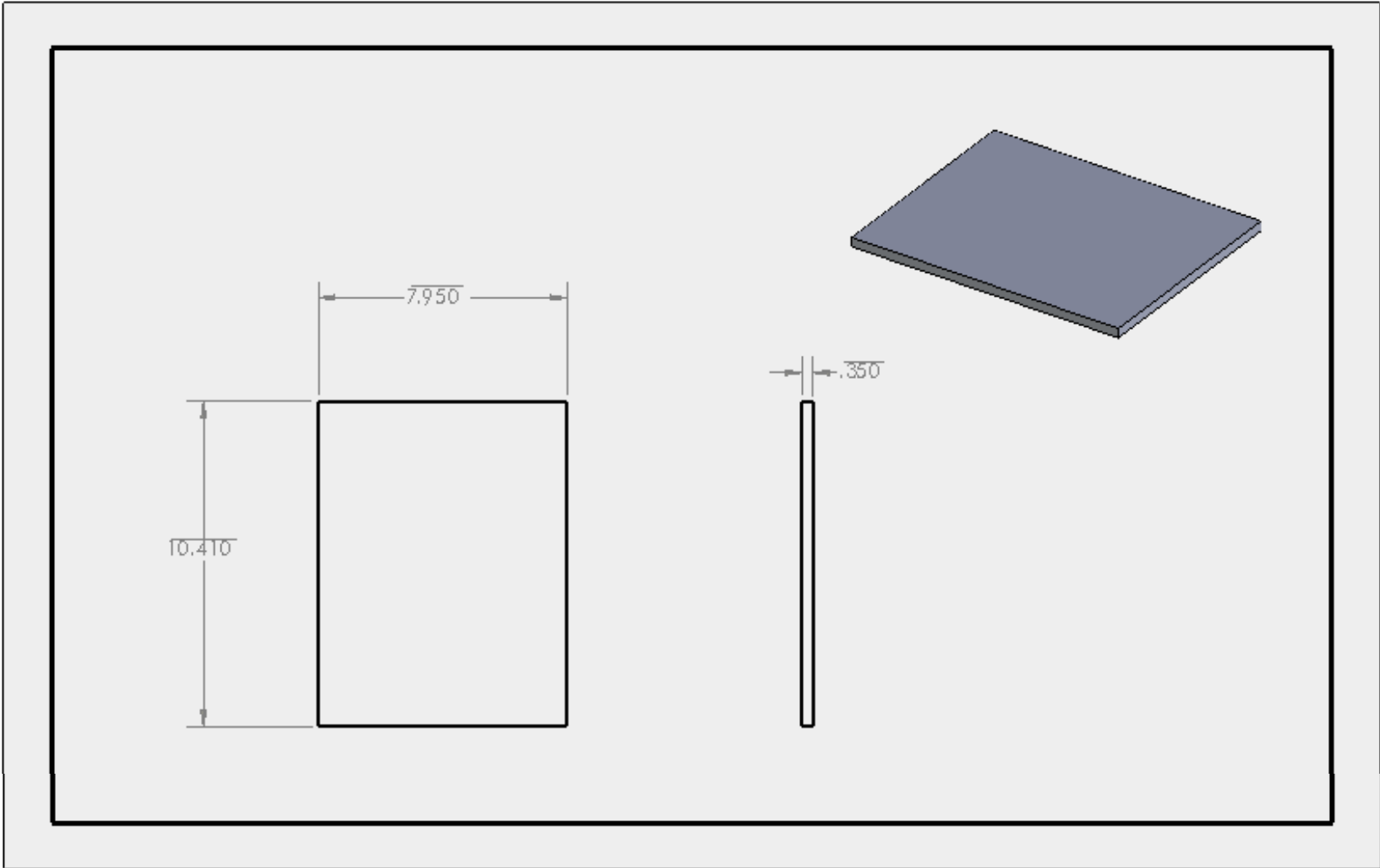
FR-B1



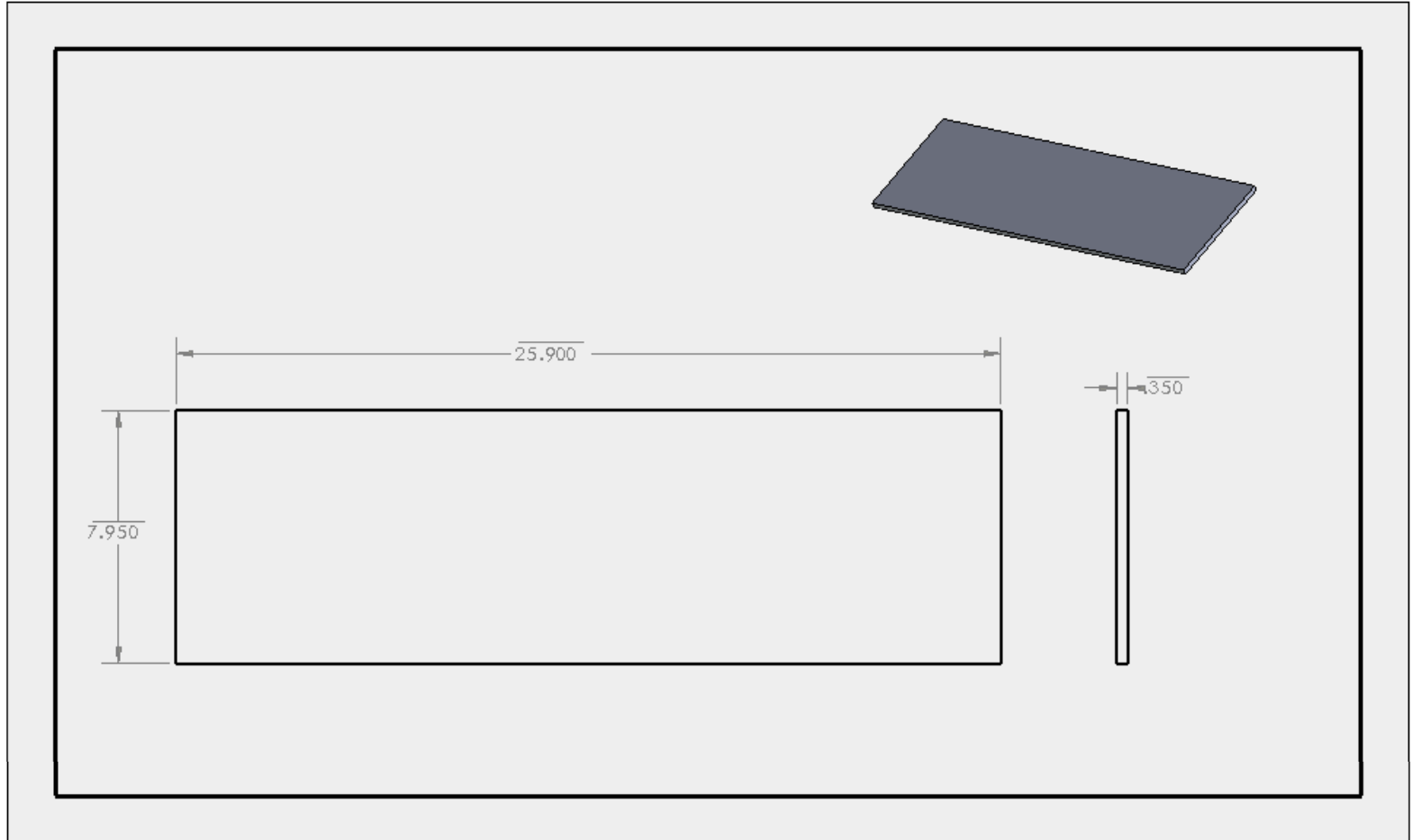
FR-C1



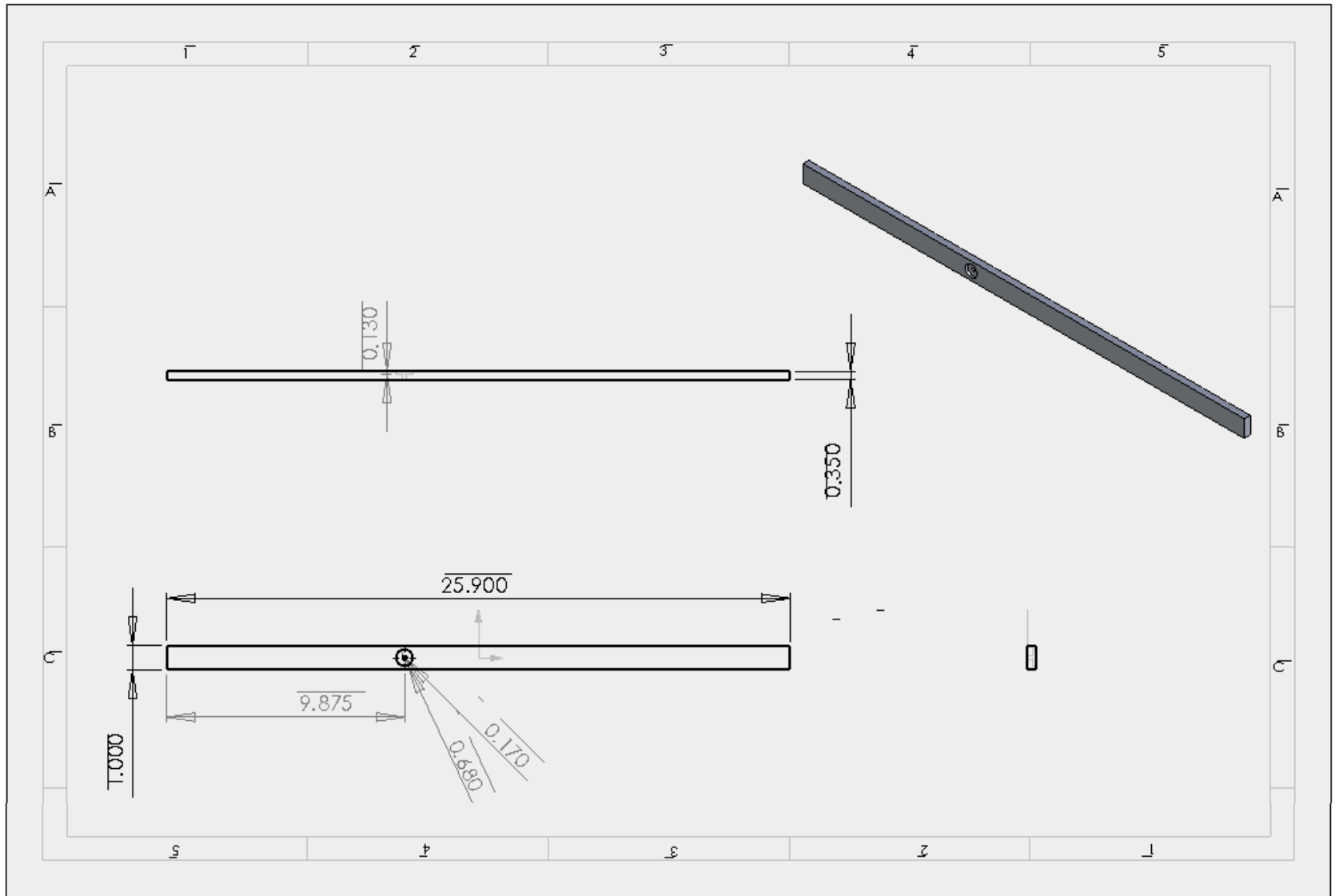
FR-D1; D2



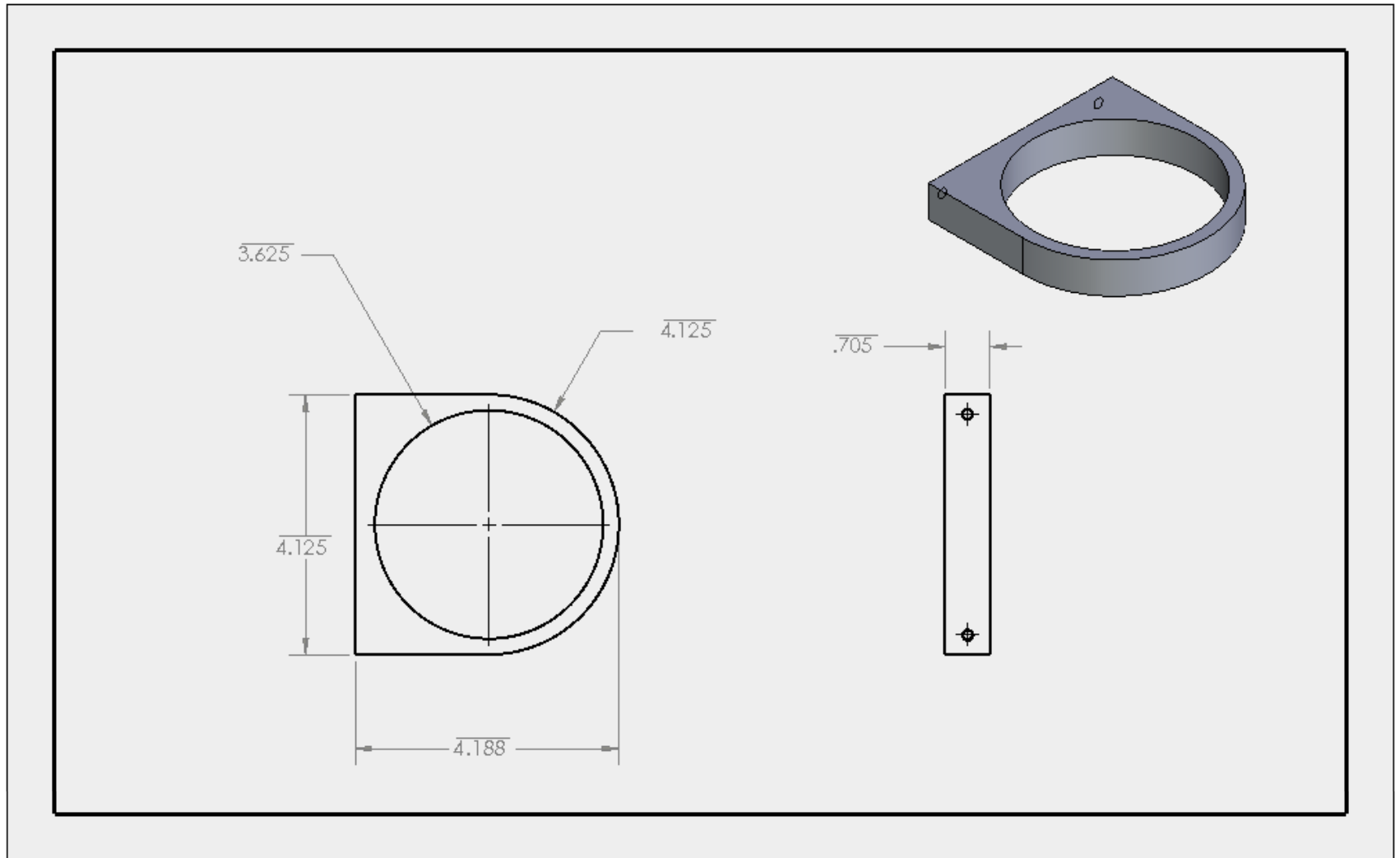
FR-E1



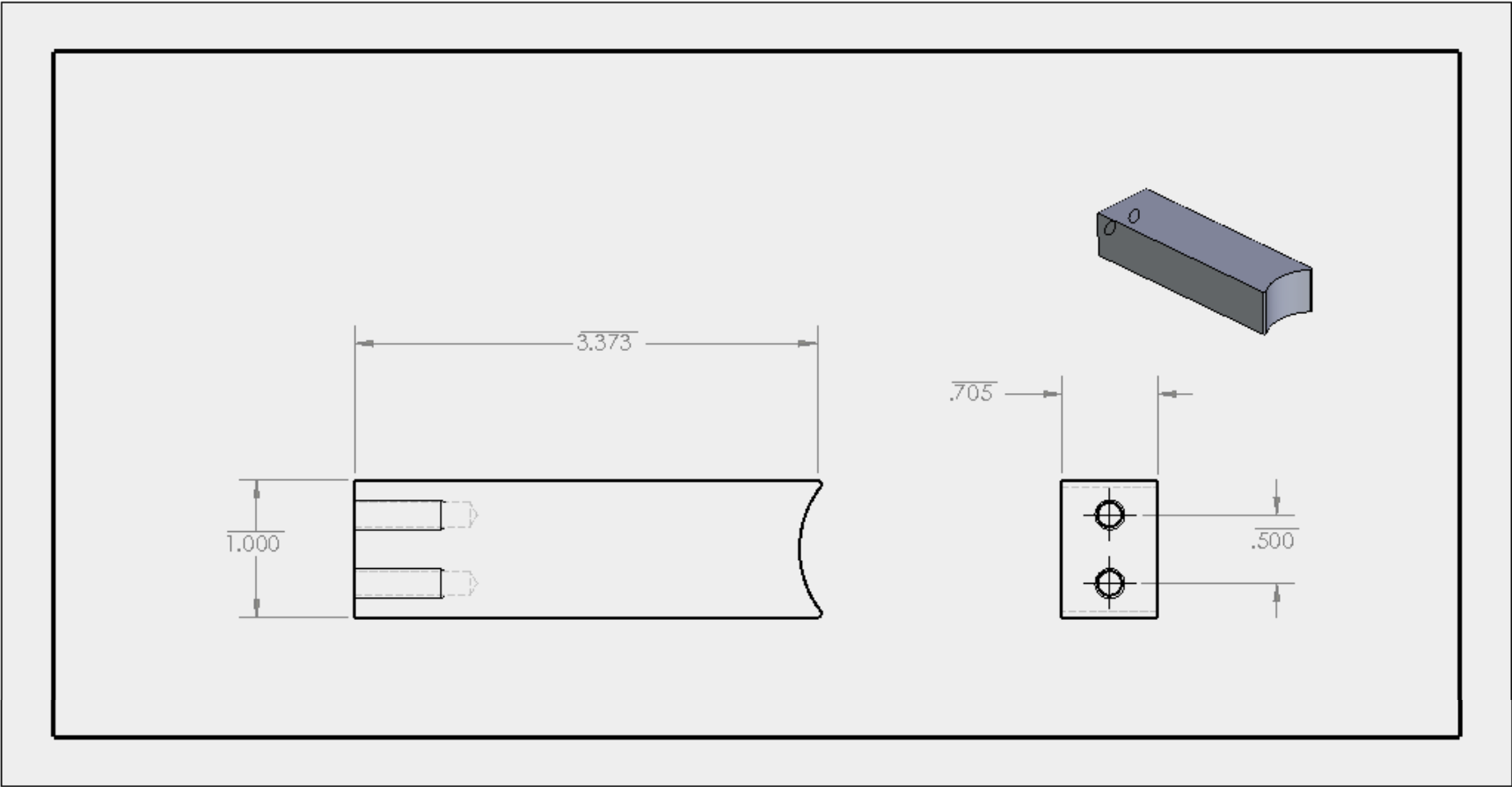
FR-F1



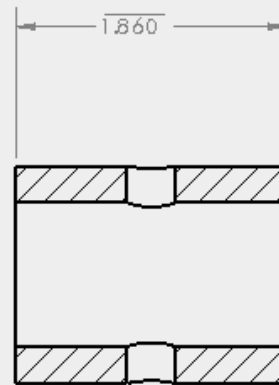
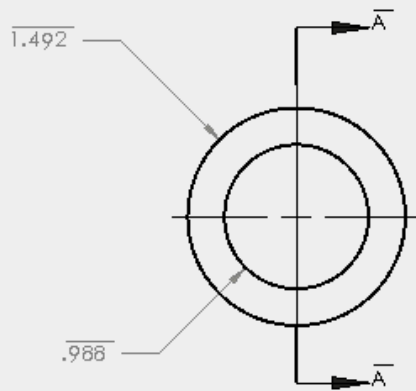
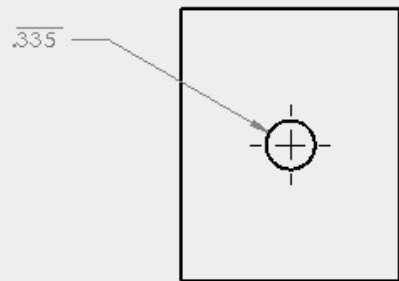
FR-G1; G2; G3



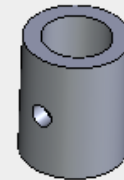
FR-H1; H2; H3



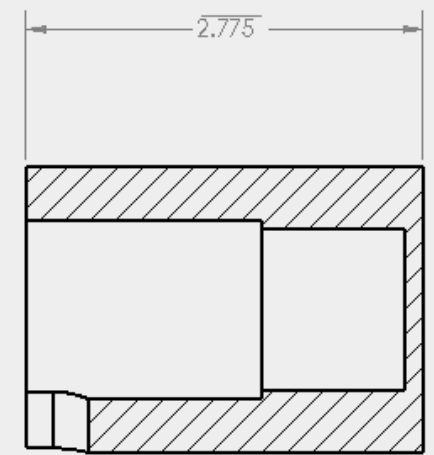
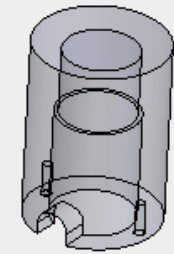
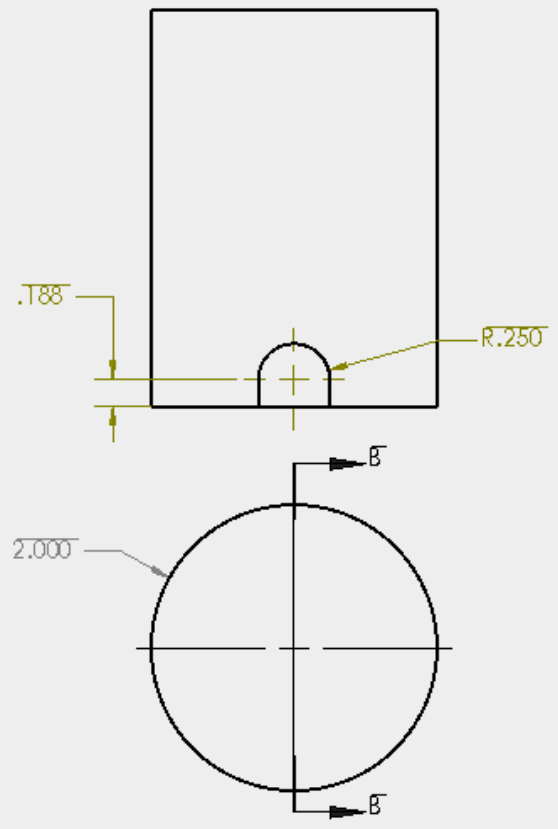
FR-I1; I2; I3



COUPE A-A

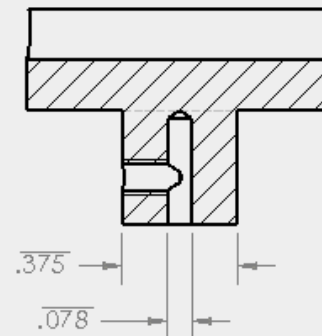
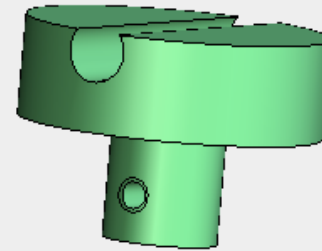
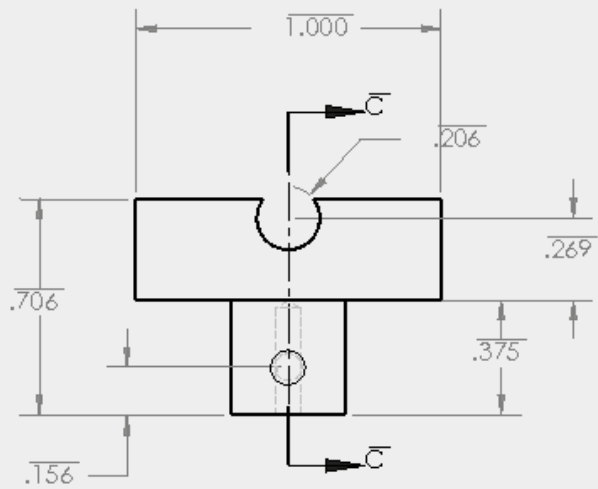


FR-J1; J2; J3



COUPE B-B
ECHELLE 1 : 1

FR-L1; L2; L3



COUPE C-C
ECHELLE 2:1